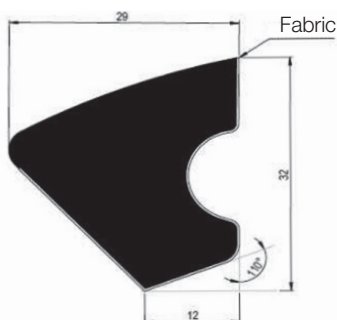


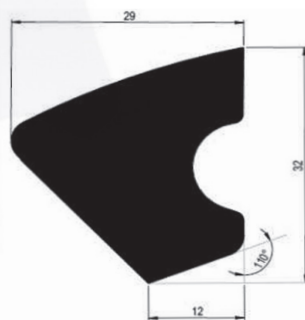
## Billiard cushion KLEMATCH® P37

Quadrangular profile made of natural grey rubber available in two versions.



### KLEMATCH® P37

- » covered with raw fabric on three sides
- » recommended for Deluxe and competition models



### KLEMATCH® P37 ST

- » without raw fabric cover
- » recommended for leisure billiard tables

	KLEMATCH® P37		KLEMATCH® P37 ST	
Dimensional data				
Available nominal lengths	1,90 m	2,60 m	1,70 m	
	2,10 m	2,70 m	1,90 m	
	2,30 m	2,85 m	2,10 m	
	2,50 m	3,00 m	2,30 m	
	2,55 m		2,50 m	
Dimensions	see above drawing		see above drawing	
Technical data				
Hardness Shore A	43 + 3		43 + 3	
Rebound (according to DIN53512)	75% + 5%		75% + 5%	
Rebound resilience of the end product (according to A.I. method)	75% + 5%		75% + 5%	

KLEMATCH® Billiard cushions standard packing : packaging of six identic lengths.  
For specific length, packing or any other requirement please contact us!



SumiRiko Industry France S.A.S.  
Sales office: 2 rue du Pont Colbert – 78000 Versailles, France  
Phone: +33(0)1 309741 41 | Fax: +33(0)1 309741 01  
fr.industrie@avs.sumiriko.com  
[www.anvisindustry.com](http://www.anvisindustry.com) | [www.klematch.com](http://www.klematch.com)

SUMITOMO RIKO GROUP



**SumiRiko Industry  
France S.A.S.**